

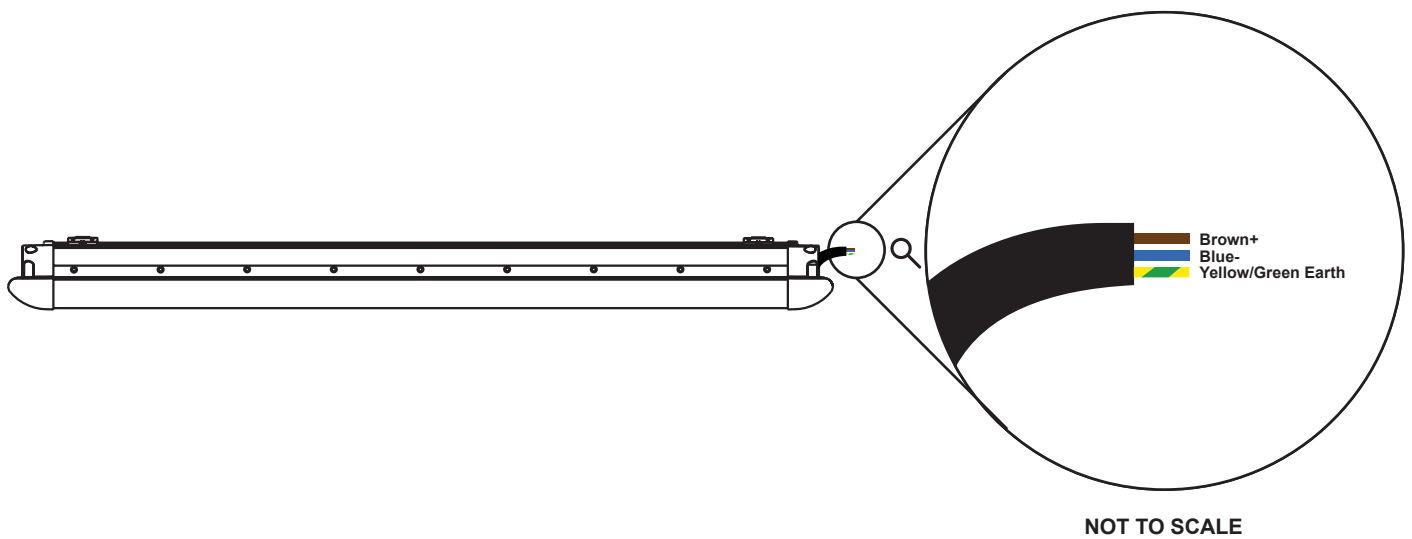
# Fortis LED Light Fixture Wiring

PLEASE READ ALL INSTRUCTIONS CAREFULLY BEFORE STARTING TO INSTALL THIS PRODUCT,  
NO RESPONSIBILITY IS TAKEN FOR DAMAGE CAUSED BY INCORRECT HANDLING, WIRING OR INSTALLATION

## Operating Voltage

Fortis LED Light Fixture - 100-230V AC

## Connection Details



### !! IMPORTANT !!

DO NOT ATTEMPT TO INSTALL THIS PRODUCT WITHOUT ADVICE FROM A FULLY QUALIFIED ELECTRICAL ENGINEER,  
FALIURE TO DO SO MAY CAUSE PERSONAL HARM OR DAMAGE TO THE PRODUCT.

IT IS IMPORTANT THAT THESE GUIDELINES ARE FOLLOWED AT ALL TIMES DURING INSTALLATION.  
THIS INFORMATION IS FOR YOUR SAFETY AND TO ENSURE THAT THE PRODUCT IS INSTALLED CORRECTLY.

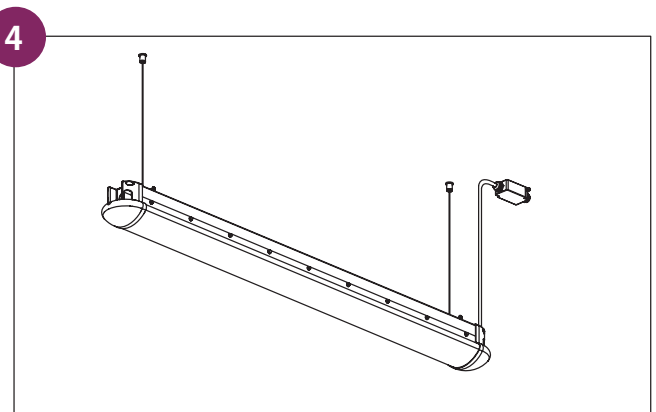
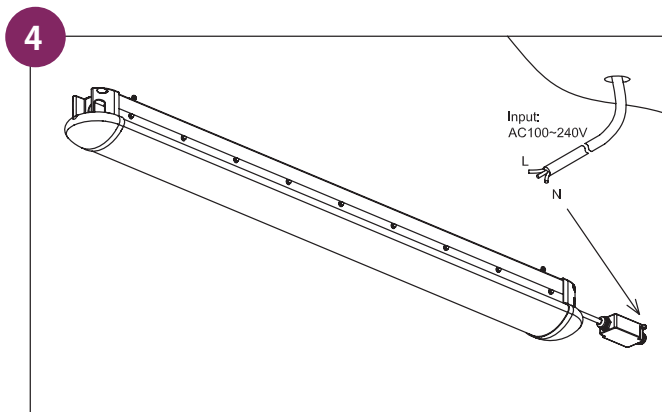
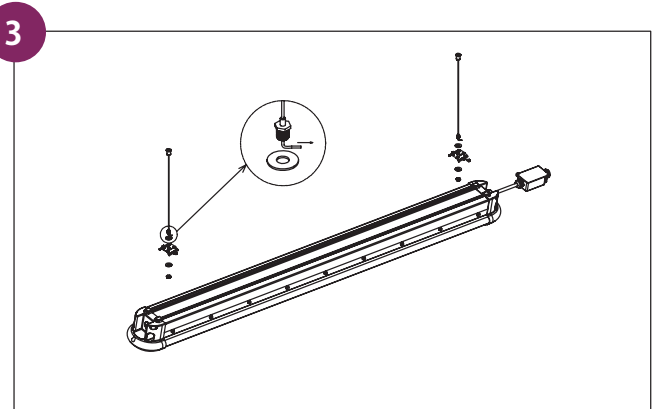
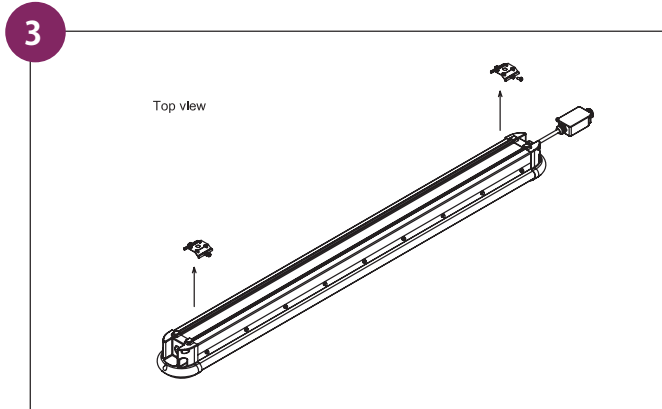
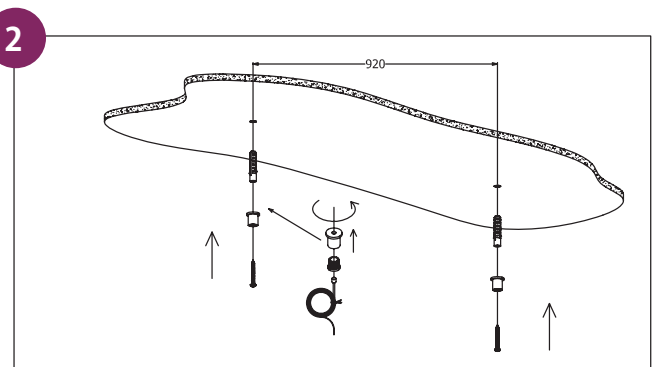
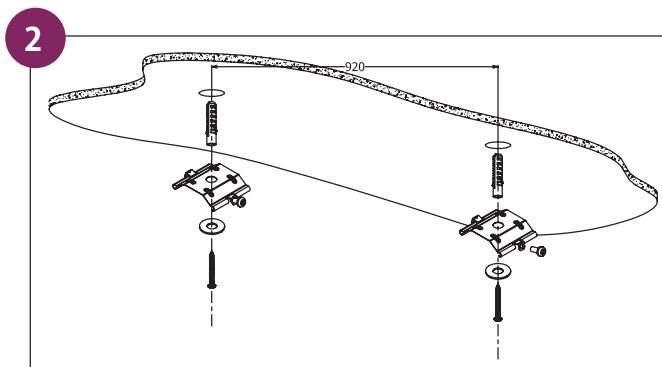
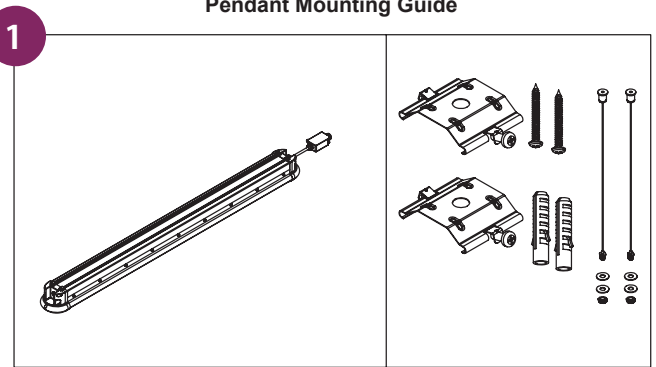
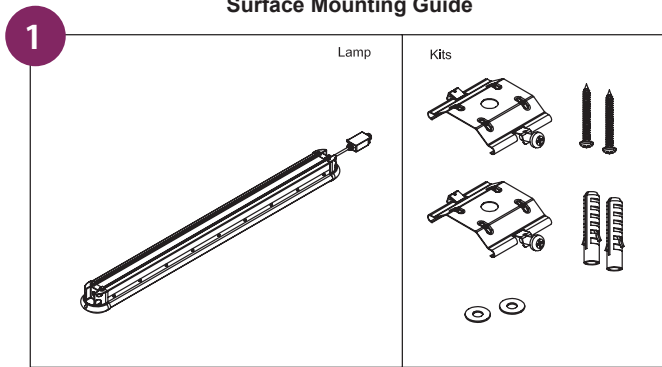
THE PRODUCT **MUST** BE WIRED AS PER THIS DIAGRAM.  
IF THE PRODUCT IS WIRED INCORRECTLY IT WILL NOT FUNCTION AND CAUSE SEVERE INTERNAL DAMAGE TO THE  
DEVICE.

# Fortis Installation Guide

PLEASE READ ALL INSTRUCTIONS CAREFULLY BEFORE STARTING TO INSTALL THIS PRODUCT, NO RESPONSIBILITY IS TAKEN FOR DAMAGE CAUSED BY INCORRECT HANDLING, WIRING OR INSTALLATION

## Surface Mounting Guide

## Pendant Mounting Guide



!! IMPORTANT !!

DO NOT ATTEMPT TO INSTALL THIS PRODUCT WITHOUT ADVICE FROM A FULLY QUALIFIED ELECTRICAL ENGINEER, FAILURE TO DO SO MAY CAUSE PERSONAL HARM OR DAMAGE TO THE PRODUCT. IT IS IMPORTANT THAT THESE GUIDELINES ARE FOLLOWED AT ALL TIMES DURING INSTALLATION. THIS INFORMATION IS FOR YOUR SAFETY AND TO ENSURE THAT THE PRODUCT IS INSTALLED CORRECTLY. THE PRODUCT **MUST** BE WIRED AS PER THIS DIAGRAM. IF THE PRODUCT IS WIRED INCORRECTLY IT WILL NOT FUNCTION AND CAUSE SEVERE INTERNAL DAMAGE TO THE DEVICE.