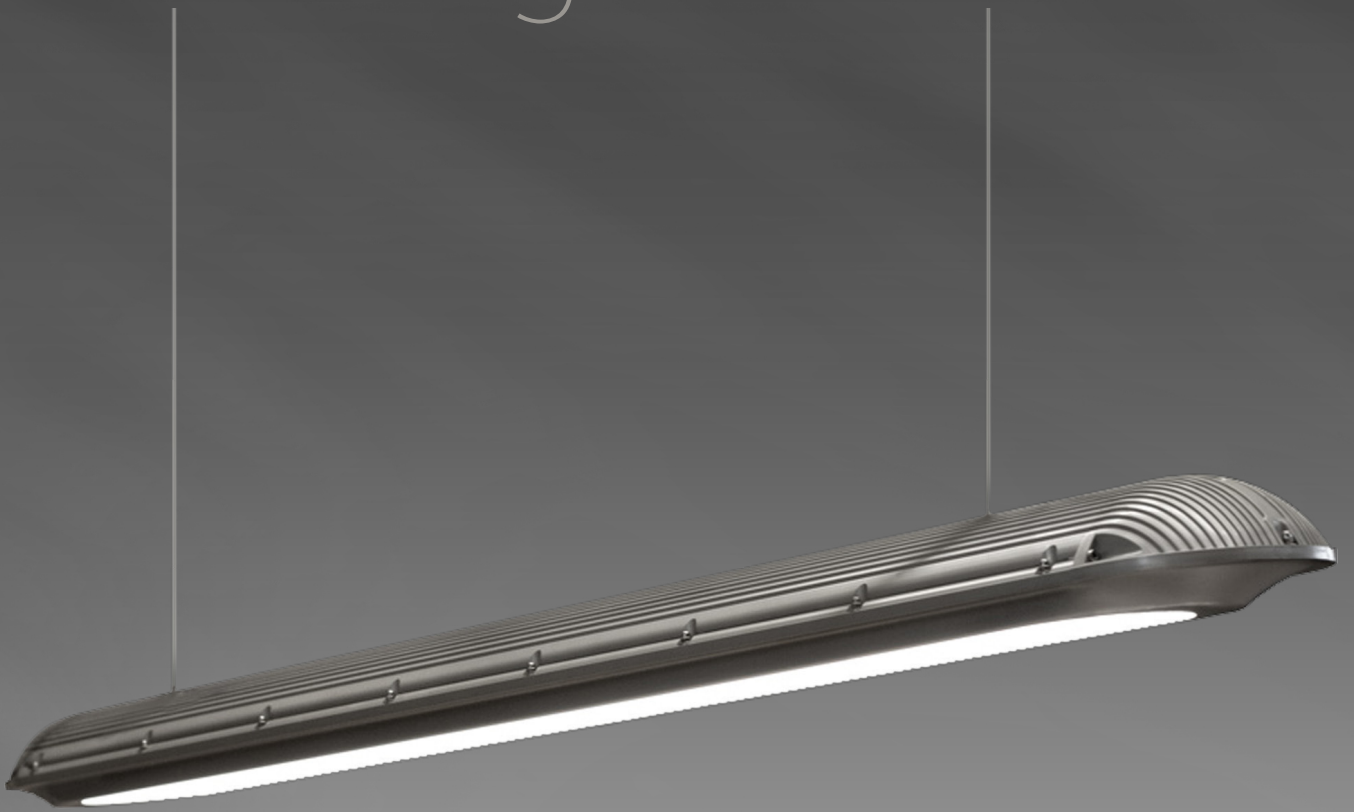


Atlas

LED Light Fixture



Atlas

LED Light Fixture



Surelight's unique range of energy efficient LED lighting is ideal for replacing for old, traditional inefficient lighting. LED Lighting has a long lifetime of up to 30,000 hours thus reducing maintenance and more importantly maintenance costs. Due to their ultra high efficiency, these luminaires are extremely environmentally friendly, significantly reducing carbon emissions and saving a fortune on energy costs.

Power Savings

When comparing LED lighting to traditional lights power savings made are astounding. LEDs use a fraction of the power whilst offering similar light output. Over the lifetime of the LED luminaires major energy cost savings can be made.

AVAILABLE COLOURS:



Atlas LED Light Fixture

Product Code: ATL-35W, ATL-45W, ATL-70W



Key Features

- Alternative to fluorescent tube fixtures.
- Water Resistant to IP65.
- Vandal Resistant to IK7.
- High power efficiency > 90%.
- Instant on, no flicker or buzz.
- No mercury allowing for non-hazardous waste disposal.
- Anti-corrosion aluminium.
- Emits virtually no UV rays or IR.
- Energy saving and environmentally friendly.

Product Description

The Atlas LED lighting fixture is a water resistant dust proof and anti-corrosion LED light fixture.

Designed to stand up to extreme environments the Atlas LED light fixture can be used in food processing/preparation factories as it is easily washed down. The Atlas range is water resistant and made from anti-corrosion aluminium making the Atlas range light-weight and robust.

Available in a range of brightnesses and white colours.

Applications include, factories, multistory car parks, offices, retail premises, hotels, restaurants, health sector buildings, modern new build properties, libraries and public service buildings.

Specification

Lighting Performance

Product Code	Power	LED Qty	CRI	Power Factor	Lumen Output	Minimum Lifetime
ATL-35W	35W	72	80	> 0.9	2280lm	30,000hrs
ATL-45W	45W	96	80	> 0.9	3160lm	30,000hrs
ATL-70W	70W	144	80	> 0.9	4600lm	30,000hrs

N.B Lumen values quoted on Pure White (5665-6350k)

Operating Details

Storage Temperature	Working Temperature Range
-40 to +80 °C	-20 to +40 °C

Options

Input Power	LED Colours
35W, 45W or 70W	Neutral White, Pure White

Input Data

Input Voltage	Power Supply Type	Input Connection
100-240V AC	Constant Current AC	Flying Leads

Physical Details

Finish	Beam Angle	Mounting	Ingress Protection
Aluminium	120°	Pendant or ceiling mounting	IP65

Colour



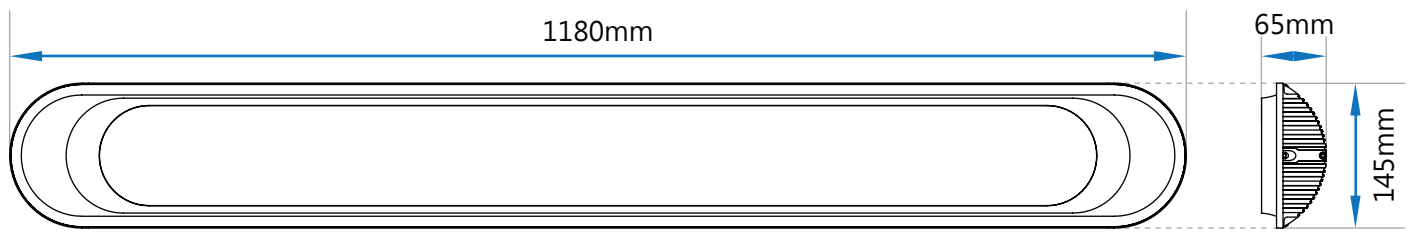
WW NW PW

Optics



120°

Mechanical Dimensions (Unit mm)



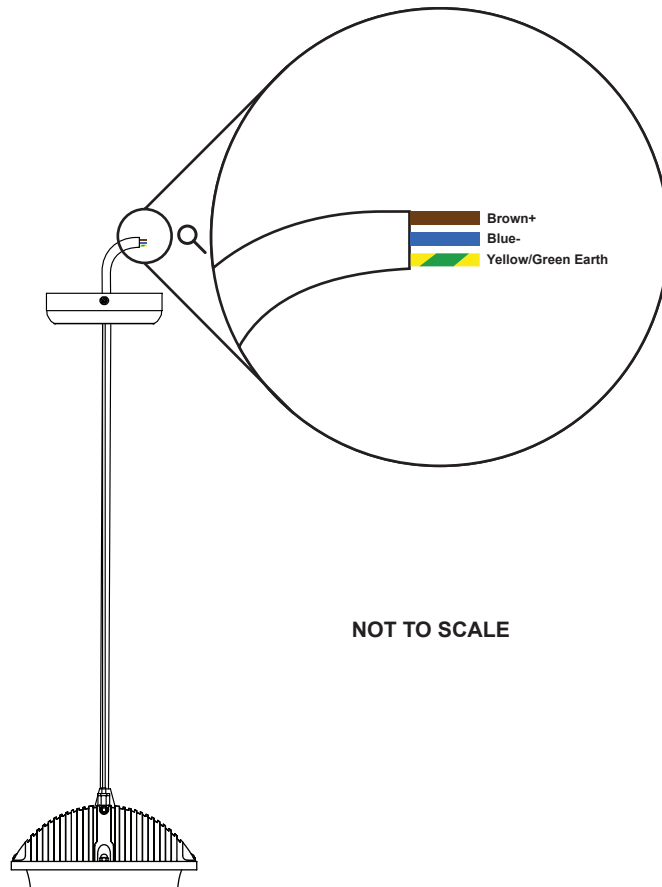
Atlas LED Light Fixture Wiring

PLEASE READ ALL INSTRUCTIONS CAREFULLY BEFORE STARTING TO INSTALL THIS PRODUCT,
NO RESPONSIBILITY IS TAKEN FOR DAMAGE CAUSED BY INCORRECT HANDLING, WIRING OR INSTALLATION

Operating Voltage

100 - 240V AC

Connection Details



!! IMPORTANT !!

DO NOT ATTEMPT TO INSTALL THIS PRODUCT WITHOUT ADVICE FROM A FULLY QUALIFIED ELECTRICAL ENGINEER,
FAILURE TO DO SO MAY CAUSE PERSONAL HARM OR DAMAGE TO THE PRODUCT.

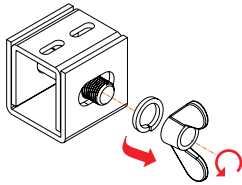
IT IS IMPORTANT THAT THESE GUIDELINES ARE FOLLOWED AT ALL TIMES DURING INSTALLATION.
THIS INFORMATION IS FOR YOUR SAFETY AND TO ENSURE THAT THE PRODUCT IS INSTALLED CORRECTLY.

THE PRODUCT **MUST** BE WIRED AS PER THIS DIAGRAM.
IF THE PRODUCT IS WIRED INCORRECTLY IT WILL NOT FUNCTION AND CAUSE SEVERE INTERNAL DAMAGE TO THE
DEVICE.

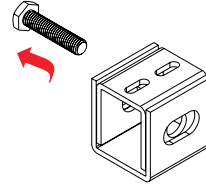
Atlas Ceiling Mounted Installation Guide

PLEASE READ ALL INSTRUCTIONS CAREFULLY BEFORE STARTING TO INSTALL THIS PRODUCT,
NO RESPONSIBILITY IS TAKEN FOR DAMAGE CAUSED BY INCORRECT HANDLING, WIRING OR INSTALLATION

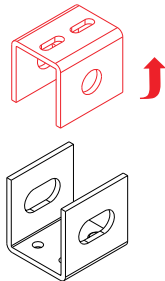
1



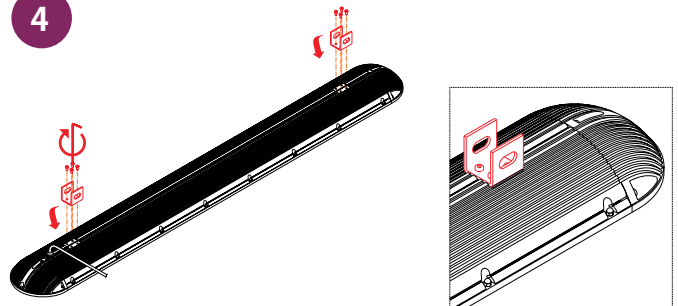
2



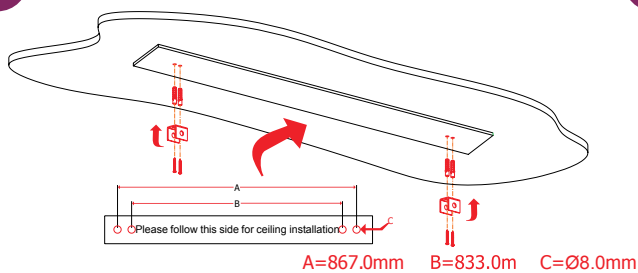
3



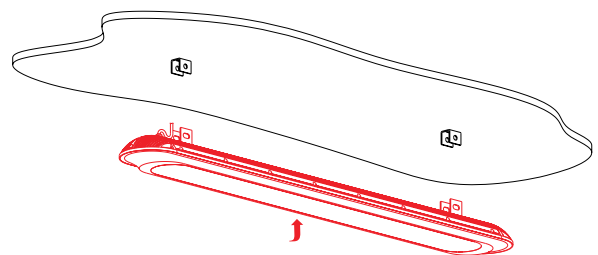
4



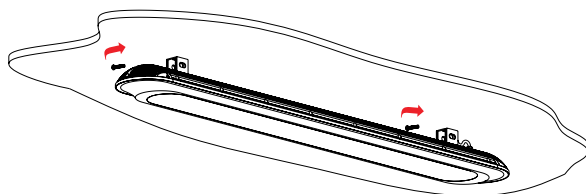
5



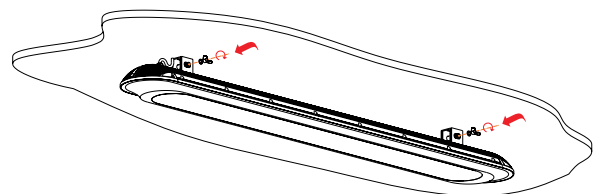
6



7



8

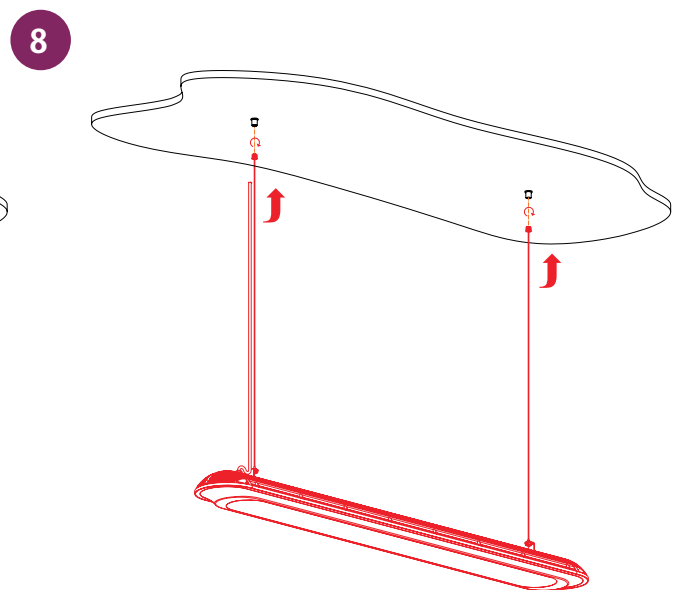
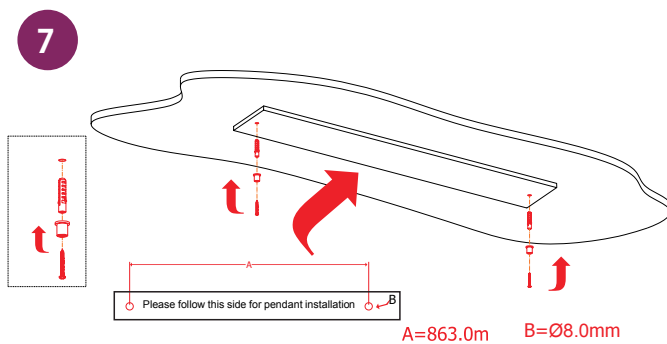
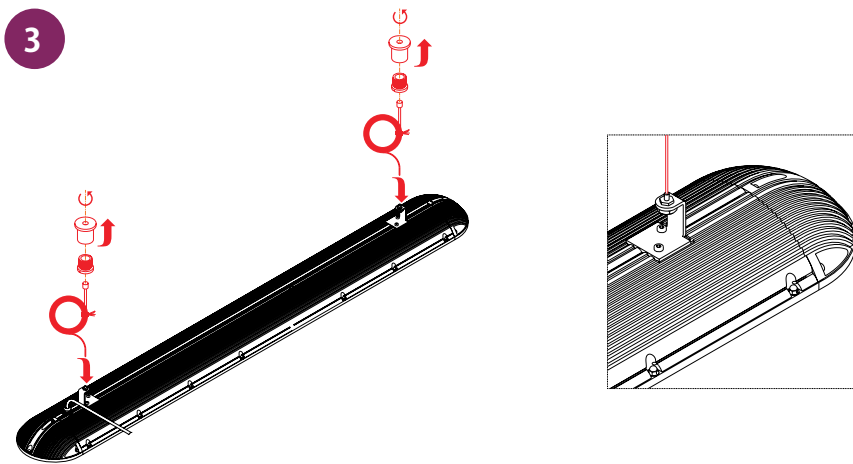
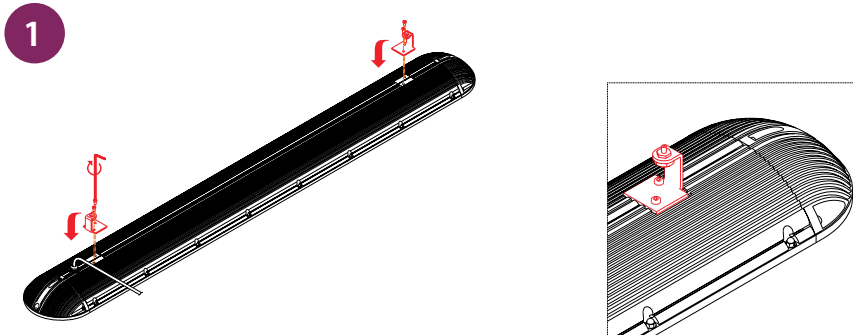


!! IMPORTANT !!

DO NOT ATTEMPT TO INSTALL THIS PRODUCT WITHOUT ADVICE FROM A FULLY QUALIFIED ELECTRICAL ENGINEER, FAILURE TO DO SO MAY CAUSE PERSONAL HARM OR DAMAGE TO THE PRODUCT. IT IS IMPORTANT THAT THESE GUIDELINES ARE FOLLOWED AT ALL TIMES DURING INSTALLATION. THIS INFORMATION IS FOR YOUR SAFETY AND TO ENSURE THAT THE PRODUCT IS INSTALLED CORRECTLY. THE PRODUCT **MUST** BE WIRED AS PER THIS DIAGRAM. IF THE PRODUCT IS WIRED INCORRECTLY IT WILL NOT FUNCTION AND CAUSE SEVERE INTERNAL DAMAGE TO THE DEVICE.

Atlas Pendant Installation Guide

PLEASE READ ALL INSTRUCTIONS CAREFULLY BEFORE STARTING TO INSTALL THIS PRODUCT,
NO RESPONSIBILITY IS TAKEN FOR DAMAGE CAUSED BY INCORRECT HANDLING, WIRING OR INSTALLATION



!! IMPORTANT !!

DO NOT ATTEMPT TO INSTALL THIS PRODUCT WITHOUT ADVICE FROM A FULLY QUALIFIED ELECTRICAL ENGINEER, FAILURE TO DO SO MAY CAUSE PERSONAL HARM OR DAMAGE TO THE PRODUCT. IT IS IMPORTANT THAT THESE GUIDELINES ARE FOLLOWED AT ALL TIMES DURING INSTALLATION. THIS INFORMATION IS FOR YOUR SAFETY AND TO ENSURE THAT THE PRODUCT IS INSTALLED CORRECTLY. THE PRODUCT **MUST** BE WIRED AS PER THIS DIAGRAM. IF THE PRODUCT IS WIRED INCORRECTLY IT WILL NOT FUNCTION AND CAUSE SEVERE INTERNAL DAMAGE TO THE DEVICE.



Head Quarters:

Surelight
Unit 37, Venture One Business Park, Long Acre Close,
Holbrook Industrial Estate, Sheffield, S20 3FR

Telephone:

General Enquiries: +44 (0) 1142 361 606

Email: info@surelight.com

Website: www.surelight.com

Twitter: @surelight

Opening Hours: 09.00 - 17.00 Mon - Fri