

Apollo

LED Light Fixture



Apollo

LED Light Fixture



Surelight's unique range of energy efficient LED lighting is ideal for replacing for old, traditional inefficient lighting. LED Lighting has a long lifetime of up to 40,000 hours thus reducing maintenance and more importantly maintenance costs. Due to their ultra high efficiency, these luminaires are extremely environmentally friendly, significantly reducing carbon emissions and saving a fortune on energy costs.

Power Savings

When comparing LED lighting to traditional lights power savings made are astounding. LEDs use a fraction of the power whilst offering similar light output. Over the lifetime of the LED luminaires major energy cost savings can be made.

AVAILABLE COLOURS:



Apollo LED Light Fixture

Product Code: APO-W



Key Features

- Modern architectural design
- Interconnectable design (up to 10 Apollos)
- Range of metallic finish colours.
- Instant on/off - no flicker or buzz.
- No mercury allowing for non-hazardous waste disposal.
- Energy saving and environment friendly.

Product Description

The Apollo LED light fixture is a modern, architectural pendant or surface mounted light fixture. This luxurious light weight aluminium housing LED lamp is available in a range of vibrant powder coated metallic colours.

The Apollo LED light fixture offers energy cost savings as well as luxurious design, using a fraction of the energy of traditional fluorescent style fittings.

The Apollo fittings are inter-connectable, looping power from the first fitting on the system to the next (link up to 10 fittings). Making it simple to customise lighting length for the project in hand.

Applications include, commercial lighting, architectural lighting, restaurant lighting, hotel lighting, bars and clubs, modern luxury kitchen lighting, residential properties.

Specification

Lighting Performance

Product Code	Length	Colour Temperature	Lumen Output	LED Qty	CRI	Minimum Lifetime
APO-6	600mm	WW: 2800-3200k NW: 4000-4500k PW: 5665-6350k	1800lm	92	>72	30,000hrs
APO-9	900mm		2700lm	144	>72	30,000hrs
APO-12	1200mm		3600lm	192	>72	30,000hrs
APO-15	1500mm		4500lm	240	>72	30,000hrs

N.B Lumen values quoted on Pure White (5665-6350k)

Operating Details

Product Code	Length	Power	Storage Temperature	Working Temperature
APO-6	600mm	20W	-40 to +80 °C	-20 to +40 °C
APO-9	900mm	30W	-40 to +80 °C	-20 to +40 °C
APO-12	1200mm	40W	-40 to +80 °C	-20 to +40 °C
APO-15	1500mm	50W	-40 to +80 °C	-20 to +40 °C

Options

Single LED Colours	Optics
Warm White, Neutral White, Pure White	120°

Input Data

Input Voltage	Power Supply Type	Power Factor	Input Connection
100-240V AC	Constant Current	>0.9	Flying Leads

Physical Details

Product Code	Length	Weight	Finish	Mounting	Ingress Protection
APO-6	600mm	1.7kg (±10g)	White, Silver, Black Red, Blue - MOQ of 10	Pendant or ceiling mounting	IP20
APO-9	900mm	2.4Kg (±10g)		Pendant or ceiling mounting	IP20
APO-12	1200mm	3.6Kg (±10g)		Pendant or ceiling mounting	IP20
APO-15	1500mm	4.6Kg (±10g)		Pendant or ceiling mounting	IP20

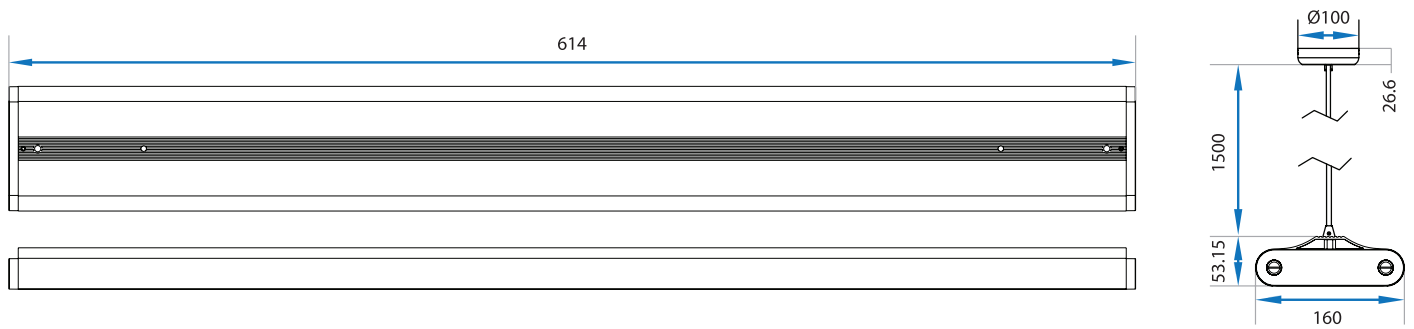
Colour



Optics



Mechanical Dimensions (Unit mm)



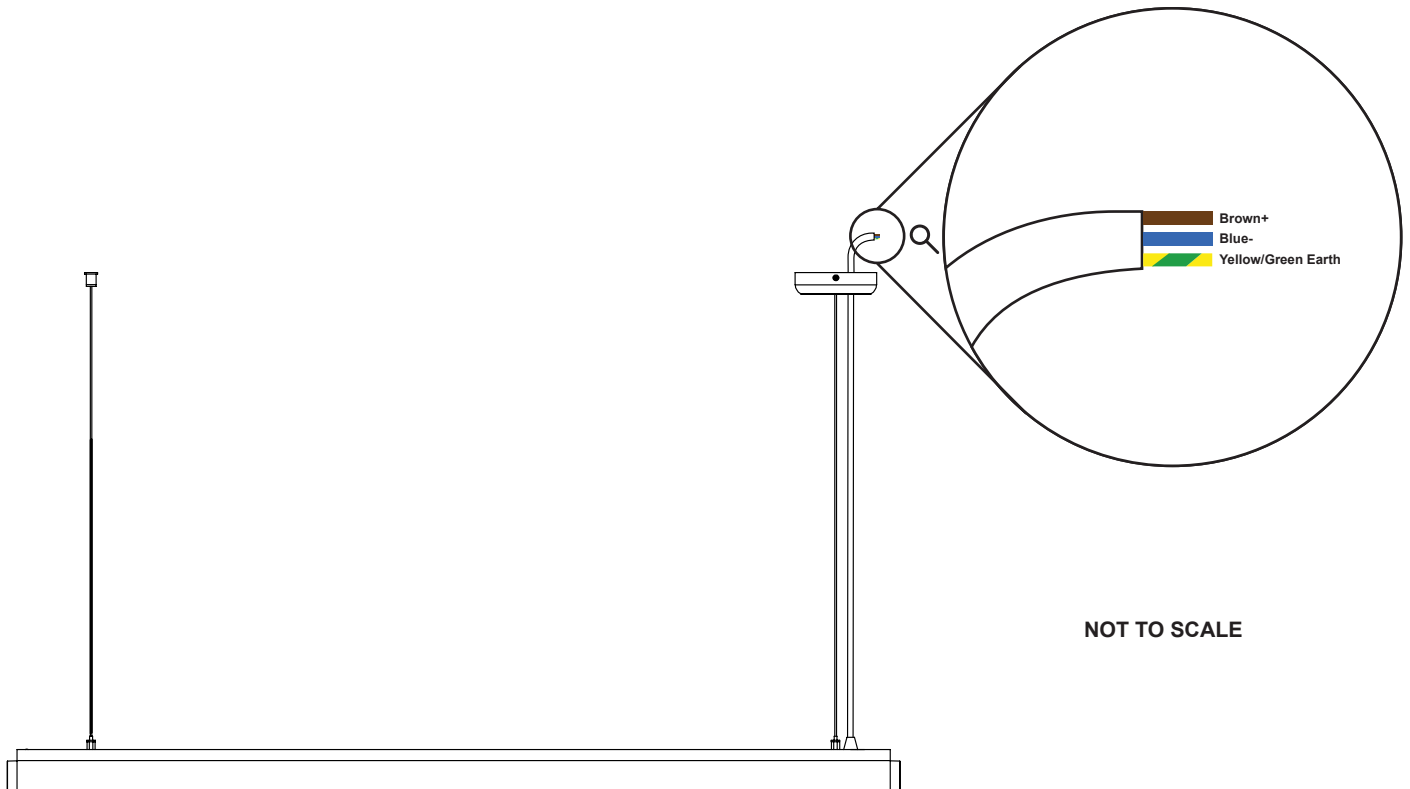
Apollo LED Light Fixture Wiring

PLEASE READ ALL INSTRUCTIONS CAREFULLY BEFORE STARTING TO INSTALL THIS PRODUCT,
NO RESPONSIBILITY IS TAKEN FOR DAMAGE CAUSED BY INCORRECT HANDLING, WIRING OR INSTALLATION

Operating Voltage

100 - 240V AC

Connection Details



!! IMPORTANT !!

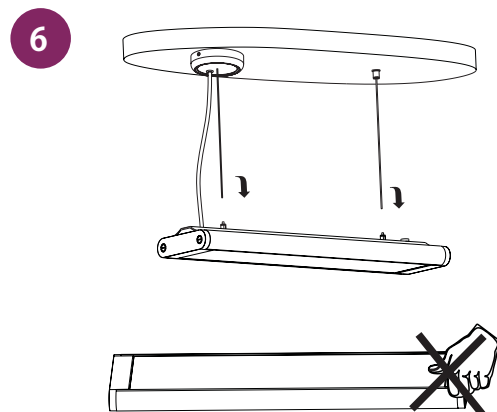
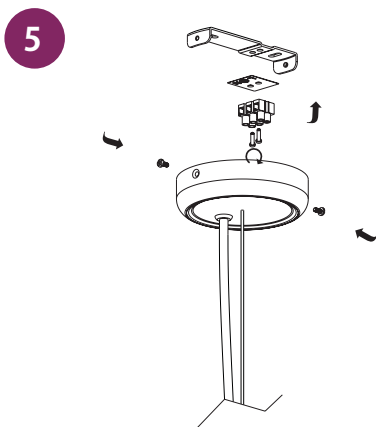
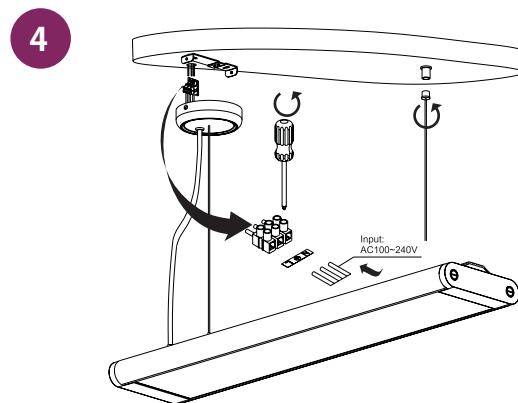
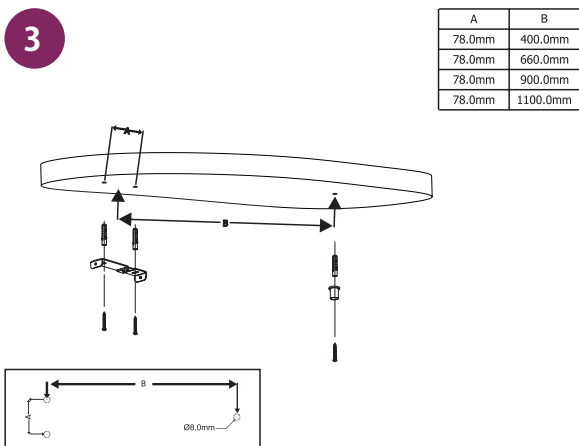
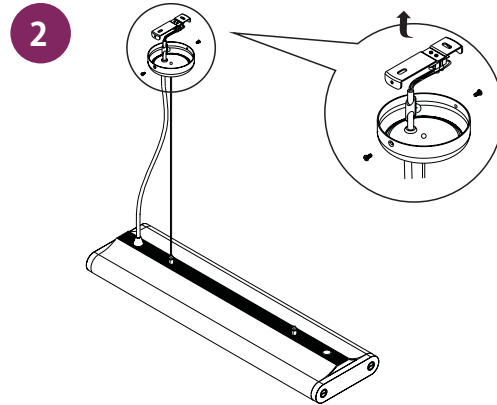
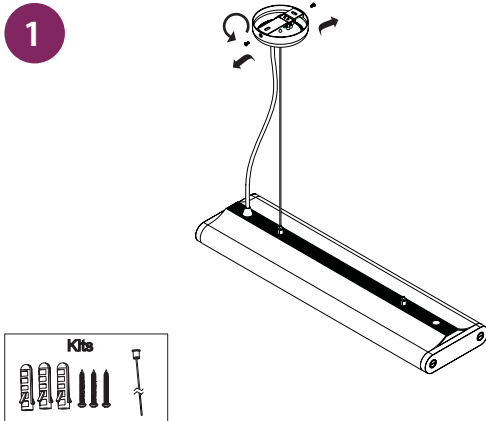
DO NOT ATTEMPT TO INSTALL THIS PRODUCT WITHOUT ADVICE FROM A FULLY QUALIFIED ELECTRICAL ENGINEER,
FAILURE TO DO SO MAY CAUSE PERSONAL HARM OR DAMAGE TO THE PRODUCT.

IT IS IMPORTANT THAT THESE GUIDELINES ARE FOLLOWED AT ALL TIMES DURING INSTALLATION.
THIS INFORMATION IS FOR YOUR SAFETY AND TO ENSURE THAT THE PRODUCT IS INSTALLED CORRECTLY.

THE PRODUCT **MUST** BE WIRED AS PER THIS DIAGRAM.
IF THE PRODUCT IS WIRED INCORRECTLY IT WILL NOT FUNCTION AND CAUSE SEVERE INTERNAL DAMAGE TO THE
DEVICE.

Apollo Pendant Installation Guide

PLEASE READ ALL INSTRUCTIONS CAREFULLY BEFORE STARTING TO INSTALL THIS PRODUCT,
NO RESPONSIBILITY IS TAKEN FOR DAMAGE CAUSED BY INCORRECT HANDLING, WIRING OR INSTALLATION



!! IMPORTANT !!

DO NOT ATTEMPT TO INSTALL THIS PRODUCT WITHOUT ADVICE FROM A FULLY QUALIFIED ELECTRICAL ENGINEER, FAILURE TO DO SO MAY CAUSE PERSONAL HARM OR DAMAGE TO THE PRODUCT. IT IS IMPORTANT THAT THESE GUIDELINES ARE FOLLOWED AT ALL TIMES DURING INSTALLATION. THIS INFORMATION IS FOR YOUR SAFETY AND TO ENSURE THAT THE PRODUCT IS INSTALLED CORRECTLY. THE PRODUCT **MUST** BE WIRED AS PER THIS DIAGRAM. IF THE PRODUCT IS WIRED INCORRECTLY IT WILL NOT FUNCTION AND CAUSE SEVERE INTERNAL DAMAGE TO THE DEVICE.



Head Quarters:

Surelight
Unit 37, Venture One Business Park, Long Acre Close,
Holbrook Industrial Estate, Sheffield, S20 3FR

Telephone:

General Enquiries: +44 (0) 1142 361 606

Email: info@surelight.com

Website: www.surelight.com

Twitter: @surelight

Opening Hours: 09.00 - 17.00 Mon - Fri

Copyright © Surelight