

REWARDING BRIGHTNESS

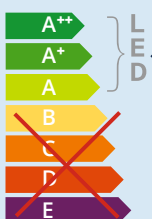


Downlights

**Linea DS-FS 120 MLMC**  
Fixed

**Specifications**

Colour white	Matt white RAL 9016 (XX=MW)
Colour black	Matt black RAL 9005 (XX=BL)
Beam angle (FWHM)	18° / 37° / 60°
UGR (4H8H 70/50/20)	<19 (18° + 37°)
Fixture material	Die cast aluminium
Environment	Indoor
IP rate	IP20 / IP44
IK rate	IK03
Operating temperature (Ta)	-20°C / +45°C
Safety marks	EN60598 / EN62031 / EN62471
EMC compliance	EN55015
Colour consistency (SDCM)	MacAdam step 3
Warranty	7 Years



LED **A+**



This luminaire contains built-in LED lamps

The lamps cannot be changed in the luminaire.



874/2012



**120-130 mm:** For soft ceiling tiles. We recommend using a ceiling ring on the reverse side of the tile.

**120mm:** For plasterboard ceilings or similar harder materials thicker than 10 mm.

Only when the product is installed in a closed ceiling it may be exposed to water splashes, and only on its front side.

REWARDING BRIGHTNESS

## Item specifications (part A)

Description	18°	37°	60°	Type	mA
	Item code	Item code	Item code		
Linea DS-FS MLMC 3000 Lm 3000K CRI80	282003XXCAE2	282003XXCBE2	282003XXCCE2	Excl. PSU	800
Linea DS-FS MLMC 2500 Lm 3000K CRI96	282003XXCGE2	282003XXCHE2	282003XXCJE2	Excl. PSU	800
Linea DS-FS MLMC 3400 Lm 4000K CRI80	282003XXCDE2	282003XXCEE2	282003XXCFE2	Excl. PSU	800

## Item specifications (part B)

Description	W	Lm	Lm/W	CRI (typ.)	Pf	Ripple	Inrush current	B-16A Fuse	Safety class	Energy class
Linea DS-FS MLMC 3000 Lm 3000K CRI80	27,9	3000	108	82	x	x	x	x	III	A+
Linea DS-FS MLMC 2500 Lm 3000K CRI96	27,9	2500	90	96	x	x	x	x	III	A+
Linea DS-FS MLMC 3400 Lm 4000K CRI80	27,9	3400	122	82	x	x	x	x	III	A+

## Item specifications (part C)

Description	Weight	Dimensions single carton	Quantity per carton	Expected lifespan (25°C)		
				L70B50	L80B50	L90B50
Linea DS-FS MLMC 3000 Lm 3000K CRI80	524 gr	185x185x160 mm	12 pcs	129.000 hrs	78.000 hrs	33.000 hrs
Linea DS-FS MLMC 2500 Lm 3000K CRI96	524 gr	185x185x160 mm	12 pcs	129.000 hrs	78.000 hrs	33.000 hrs
Linea DS-FS MLMC 3400 Lm 4000K CRI80	524 gr	185x185x160 mm	12 pcs	129.000 hrs	78.000 hrs	33.000 hrs

## UGR

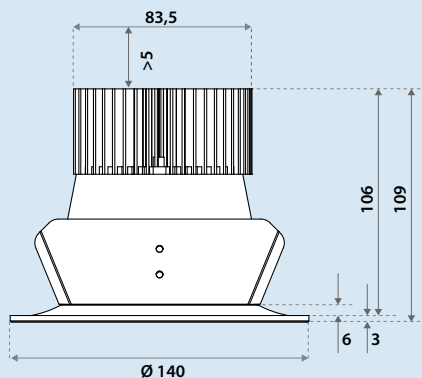
	mA	V	W	UGR								
				CRI80 3000K 3000Lm			CRI96 3000K 2500Lm			CRI80 4000K 3400Lm		
				18°	37°	60°	18°	37°	60°	18°	37°	60°
<i>Special request</i>	350	33,0	11,5	15,7	15,0	18,0	14,5	14	17,1	15,9	15,3	18,4
<i>Special request</i>	500	33,6	15,6	16,5	16,0	19,0	15,4	14,9	17,9	16,9	16,4	19,4
<i>Special request</i>	700	34,5	23,5	17,6	17,1	20,1	16,8	16,3	19,3	18,1	17,6	20,6
<b>Standard</b>	800	35,3	27,9	17,9	17,4	20,4	17,3	16,8	19,8	18,1	17,6	20,9

## Choose your power supply

	mA	V	W	Lumen Output			Lumen / Watt			DALI Ripple < 3%	1-10V & Push Ripple < 3%	NO DIM Ripple < 3%	NO DIM Ripple < 20%
				CRI80 3000K	CRI96 3000K	CRI80 4000K	CRI80 3000K	CRI96 3000K	CRI80 4000K				
				<i>Special request</i>	350	33,0	11,5	1500	1100				
<i>Special request</i>	500	33,6	15,6	2000	1450	2200	128	93	141	05CJ <sup>2</sup>	05CT <sup>2</sup>	05HA <sup>2</sup>	x
<i>Special request</i>	700	34,5	23,5	2700	2150	3150	115	91	134	05CJ <sup>1</sup>	05CT <sup>2</sup>	05HA <sup>1</sup>	x
<b>Standard</b>	800	35,3	27,9	3000	2500	3400	108	90	122	05CZ <sup>2</sup>	x	05CY <sup>2</sup>	05CF <sup>2</sup>

All values are measured at 230V (+/- 7%)

## Dimensions



For the DS-FS with concrete springs and gyproc springs a minimum ceiling thickness of 9 mm is required. For thinner ceilings (<9 mm) ask our sales department.

## Extra LED options

**LEDs from the LUXEON Stylist Series**  
Specially developed for shops specialised in fashion or fresh food, and for restaurants. Ask our sales department about the possibilities.



Ask our sales department about the possibilities.

REWARDING BRIGHTNESS

## Item specifications (part A)

Description	18°	37°	60°	Type	mA
	Item code	Item code	Item code		
Linea DS-FS MLMC 5000 Lm 3000K CRI80	282003XXCRE2	282003XXCSE2	282003XXCTE2	Excl. PSU	1400
Linea DS-FS MLMC 3750 Lm 3000K CRI96	282003XXFDE2	282003XXFEE2	282003XXFFE2	Excl. PSU	1400
Linea DS-FS MLMC 5700 Lm 4000K CRI80	282003XXCUE2	282003XXCVE2	282003XXCWE2	Excl. PSU	1400

## Item specifications (part B)

Description	W	Lm	Lm/W	CRI (typ.)	Pf	Ripple	Inrush current	B-16A Fuse	Safety class	Energy class
Linea DS-FS MLMC 5000 Lm 3000K CRI80	49,8	5000	100	82	x	x	x	x	III	A+
Linea DS-FS MLMC 3750 Lm 3000K CRI96	49,8	3750	75	96	x	x	x	x	III	A+
Linea DS-FS MLMC 5700 Lm 4000K CRI80	49,8	5700	114	82	x	x	x	x	III	A+

## Item specifications (part C)

Description	Weight	Dimensions single carton	Quantity per carton	Expected lifespan (25°C)		
				L70B50	L80B50	L90B50
Linea DS-FS MLMC 5000 Lm 3000K CRI80	524 gr	185x185x160 mm	12 pcs	129.000 hrs	78.000 hrs	33.000 hrs
Linea DS-FS MLMC 3750 Lm 3000K CRI96	524 gr	185x185x160 mm	12 pcs	129.000 hrs	78.000 hrs	33.000 hrs
Linea DS-FS MLMC 5700 Lm 4000K CRI80	524 gr	185x185x160 mm	12 pcs	129.000 hrs	78.000 hrs	33.000 hrs

## UGR

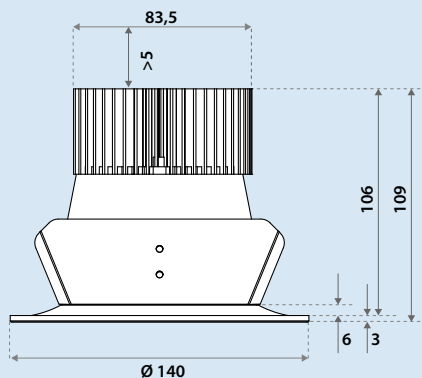
	mA	V	W	UGR								
				CRI80 3000K 5000Lm			CRI96 3000K 3750Lm			CRI80 4000K 5700Lm		
				18°	37°	60°	18°	37°	60°	18°	37°	60°
<i>Special request</i>	900	35,3	30,9	15,4	16,4	20,8	14,6	15,6	20,0	15,8	16,8	21,3
<i>Special request</i>	1050	35,8	36,3	15,7	16,8	21,2	14,9	16,0	20,4	16,3	17,3	21,7
<i>Special request</i>	1200	36,4	42,2	16,1	17,2	21,6	15,2	16,3	20,7	16,7	17,8	22,2
<b>Standard</b>	1400	37,5	49,8	17,7	17,8	22,2	15,7	16,8	21,2	17,2	18,2	22,6

## Choose your power supply

	mA	V	W	Lumen Output			Lumen / Watt			DALI Ripple < 3%	1-10V & Push Ripple < 3%	NO DIM Ripple < 3%	NO DIM Ripple < 20%
				CRI80 3000K	CRI96 3000K	CRI80 4000K	CRI80 3000K	CRI96 3000K	CRI80 4000K				
				<i>Special request</i>	900	35,3	30,9	3400	2600				
<i>Special request</i>	1050	35,8	36,3	3750	2900	4400	103	80	121	05CZ <sup>1</sup>	05CT <sup>1</sup>	05CY <sup>1</sup>	05CL <sup>1</sup>
<i>Special request</i>	1200	36,4	42,2	4250	3250	5000	101	77	118	05CQ <sup>2</sup>	05CQ <sup>2</sup>	05CP <sup>2</sup>	x
<b>Standard</b>	1400	37,5	49,8	5000	3750	5700	100	75	114	05CQ <sup>2</sup>	05CQ <sup>2</sup>	05CP <sup>2</sup>	x

All values are measured at 230V (+/- 7%)

## Dimensions



For the DS-FS with concrete springs and gyproc springs a minimum ceiling thickness of 9 mm is required. For thinner ceilings (<9 mm) ask our sales department.

## Extra LED options

**LEDs from the LUXEON Stylist Series**  
Specially developed for shops specialised in fashion or fresh food, and for restaurants. Ask our sales department about the possibilities.



Ask our sales department about the possibilities.