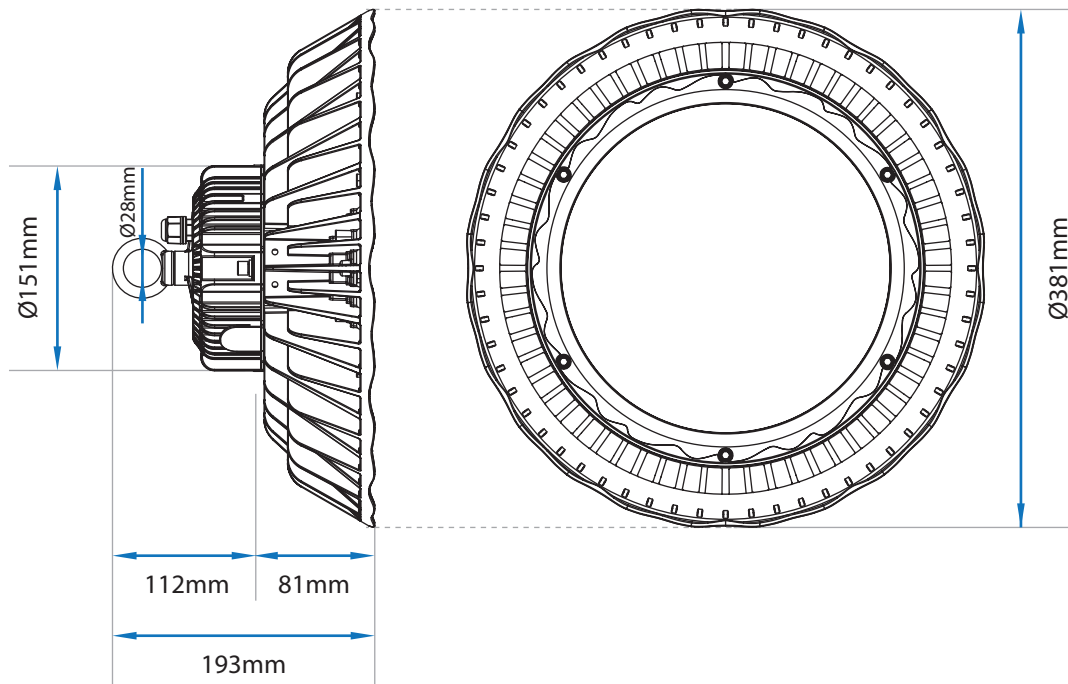


## Mechanical Dimensions (Unit mm)



### Optional Aluminium Reflector

