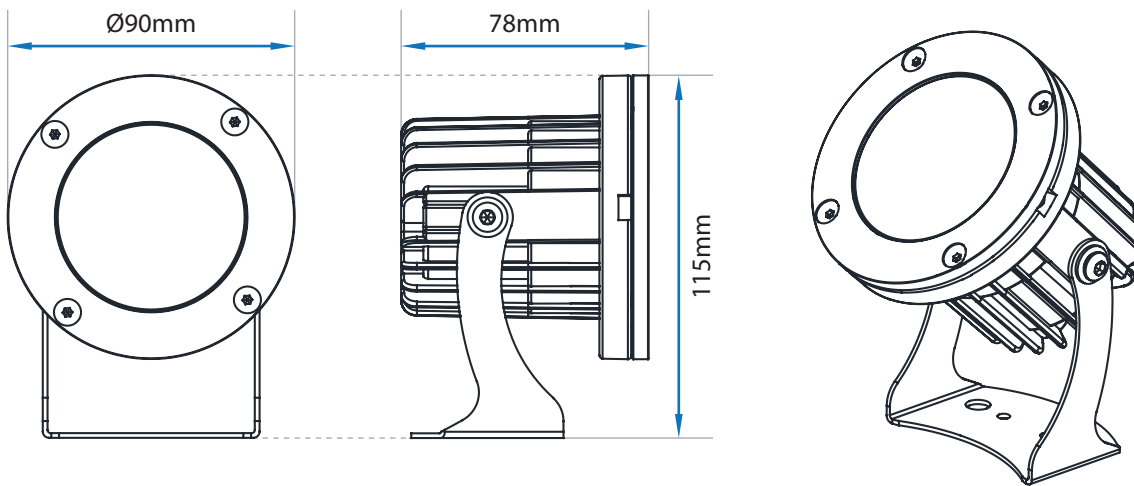


## Mechanical Dimensions (Unit mm)



## Recommended Drivers

