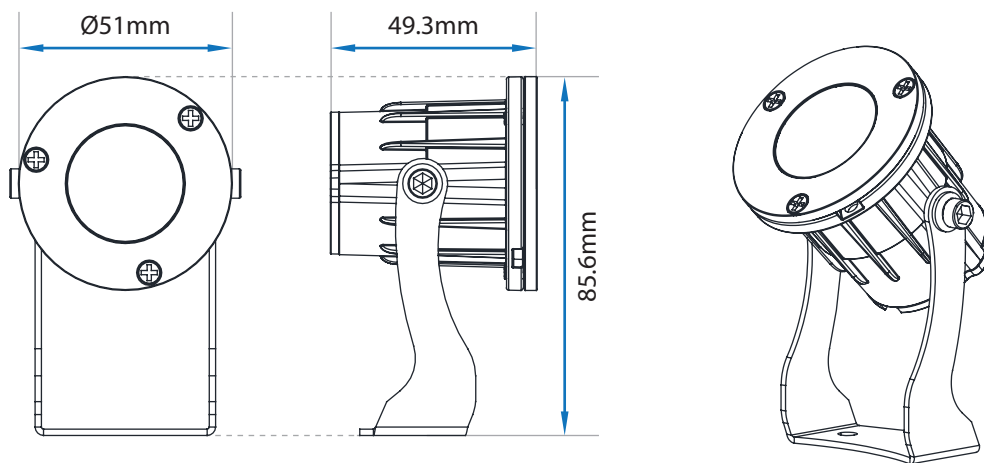


Mechanical Dimensions (Unit mm)



Recommended Drivers

